

INSTALLATION GUIDE

2 PCS CORNER SYSTEM
GYPSUM AND CEMENT CLADDING



FOR INTERIOR AND EXTERIOR USE,
WITH OR WITHOUT GROUT JOINTS

MODULO

THE FASHION HOUSE FOR WALLS

MODULO DECORATIVE SOLUTIONS SRL

29, 22 Decembrie 1989 Street
401113 Turda, Cluj County, Romania

office@modulo.fr / www.ateliermodulo.fr
Tel: +33 01 60 67 13 18 / +40 264 305 600

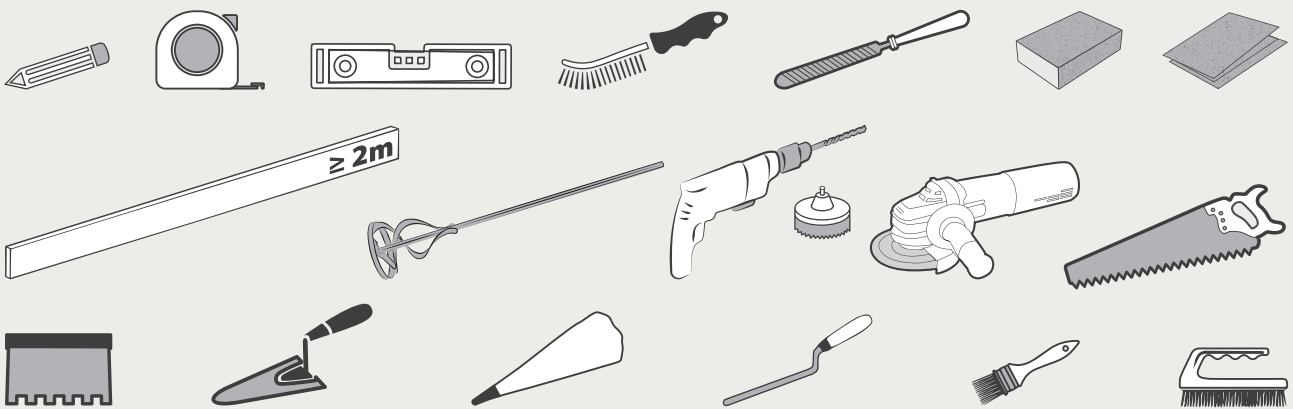
⚠ IMPORTANT

THIS INSTALLATION GUIDE MUST BE READ CAREFULLY BEFORE INSTALLATION AND KEPT TOGETHER WITH THE PURCHASE INVOICE. THIS GUIDE PROVIDES THE NECESSARY INFORMATION FOR THE CORRECT INSTALLATION AND MAINTENANCE OF THE PRODUCT.

MODULO products may be intended for indoor or outdoor use, depending on the type of product purchased. Always follow the product specifications and recommendations regarding the field of application.

Gypsum-based products are intended exclusively for indoor use and are not recommended for spaces with high humidity or direct exposure to water.

For exterior applications, use adhesives compatible with freeze-thaw exposure and ensure surface protection against water infiltration and runoff originating from roofs, window sills, canopies, or other construction elements.

Recommended Personal Protective Equipment**Required Tools****Product Storage**

- Store products only in covered and dry areas.
- Protect products against moisture, weather conditions, freeze-thaw cycles, and mechanical shocks.

BEFORE INSTALLATION**Substrate Preparation**

- The substrate must be clean, dry, stable, and in good condition.
- The substrate must be level and free of irregularities that may affect adhesion or alignment of the cladding.
- The surface must be free of dust, grease, moisture, traces of paint, or wallpaper.

- Compatible substrates: concrete, plaster, masonry, AAC blocks, plasterboard, rendered surfaces, fiber cement, wood, OSB, MDF, or ceramic tiles, according to the specifications of the adhesive used.
- For absorbent substrates, the application of a compatible primer before installation is recommended.
- Do not install products on floors or ceilings.
- Do not install products on metal surfaces, damp surfaces, or unstable substrates.
- Gypsum-based products are not recommended for spaces with high humidity.
- Do not expose the cladding to temperatures higher than:
 - 40°C for interior gypsum-based products;
 - 70°C for interior/exterior cement-based or natural stone products.
- For gypsum-based products, it is recommended to maintain a minimum distance of approximately 60 cm from direct heat sources (fireplaces, stoves, high-power radiators, etc.).
- Recommended installation temperature: between 5°C and 25°C.

Installation on Thermal Insulation Systems

- For installation on thermal insulation systems, the use of adhesives compatible with ETICS systems is recommended.
- The use of a suitable reinforcement mesh and compliance with the specifications of the thermal insulation system manufacturer are recommended.
- For applications on thick thermal insulation systems or under special usage conditions, consult the manufacturer of the thermal insulation system.

Tile Preparation

- Purchase the entire required quantity in a single order to avoid shade differences.
- Mix tiles from several boxes for a harmonious and natural appearance.
- Check dimensions, cut-outs, and positioning before installation.
- If the product includes dedicated corner pieces or decorative elements, these must be prepared and installed before the standard tiles to avoid irregular cuts.
- In the case of 2-piece corner elements, follow the positioning markings to ensure pattern continuity.
- Ensure that the back of the tiles is clean, dry, and free from dust, oil, or other anti-adhesive substances.

Important Recommendations

- Use an adhesive compatible with the substrate and the type of cladding.
- Always follow the instructions of the adhesive manufacturer.
- For interior cladding with gypsum-based products, the use of *MODULO Adhesive* or *PARMUR Colle* is recommended.
- For decorative 3D tiles, the use of *MODULO Adhesive* or a high-strength universal mounting adhesive (tube type) is recommended.
- For interior cladding with cement-based products or natural stone, the use of *MODULO Adhesive* is recommended.
- For exterior cladding with cement-based products and natural stone, the use of *MODULO Colle Extra Flex* is recommended.
- Interior/exterior products are frost-resistant when correctly installed.
- Work on small surfaces to avoid premature drying of the adhesive or mortar.
- Before applying protective solutions, perform a preliminary test in a less visible area.
- The use of protective or finishing products must be carried out according to the recommendations of their manufacturer.

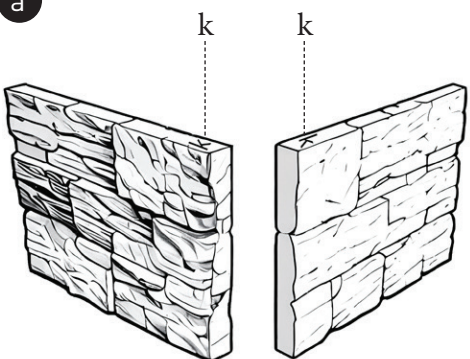
INSTALLATION STEPS

⚠ For detailed information regarding the installation of the pieces and grouting procedures, please refer to the *MODULO Decorative Cladding Installation Guide* available on our website www.ateliermodulo.fr

- This innovative corner system is designed to provide a natural and seamless corner finish while simplifying and accelerating the installation process.
- Always begin the installation from the corner area, starting from the lower part of the wall.
- The two pieces forming the corner element are specially designed to complement each other and create a continuous and realistic corner appearance. These pieces differ from the standard flat elements included in the box.
- To facilitate correct identification, the corresponding corner pieces are marked on the side. Always pair the pieces with identical markings to ensure proper alignment and continuity of the design.

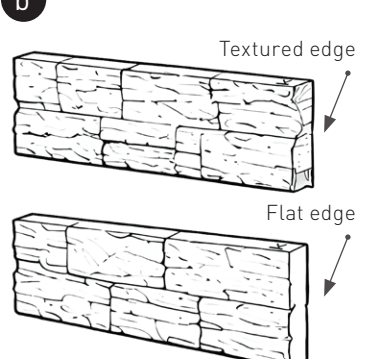
① IDENTIFICATION AND PAIRING OF THE CORNER PIECES

a



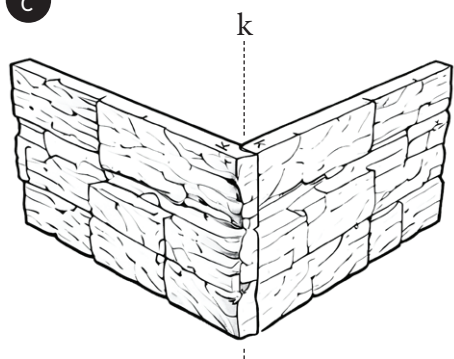
Identify and pair the matching corner pieces before installation.

b



The two corner edges are different: one edge contains the visible textured design, while the other edge is flat.

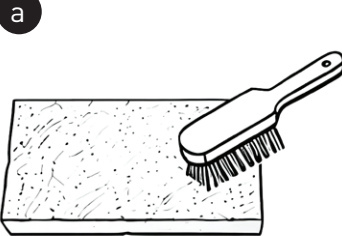
c



The markings on both pieces must meet at the corner intersection point and face in the same direction (up or down) to ensure correct positioning.

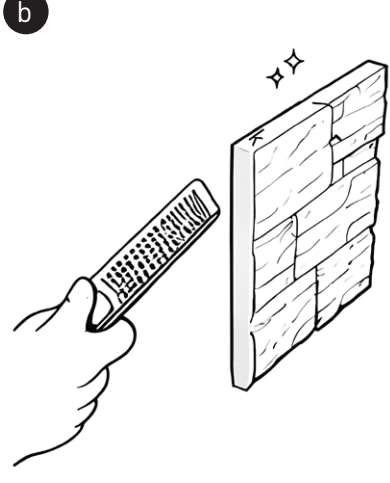
② PREPARING THE BACK SURFACE AND FLAT EDGE OF THE CORNER PIECES



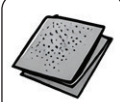

a



Lightly scratch the back surface of the piece to improve adhesion.

b



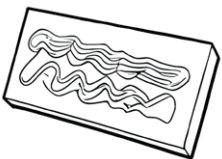





Lightly smooth or sand the flat edge of the non-textured side using a rasp, abrasive sponge or sandpaper in order to obtain a precise fit and minimize visible joints.

For cement-based products, compatible grinding or abrasive tools may also be used.

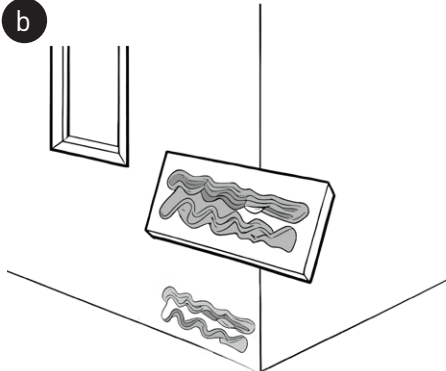
③ APPLYING THE ADHESIVE

a



For plaster-based products, apply adhesive on the back of the piece.

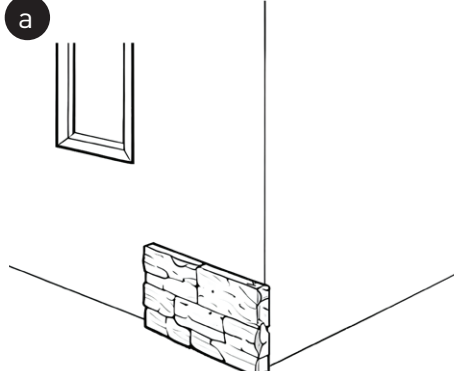
b



For cement-based products and for plaster-based products installed in areas occasionally exposed to water splashes (kitchens, hallways, decorative walls near humid areas etc.), the adhesive must be applied both on the substrate and on the back of the pieces in order to ensure improved adhesion.

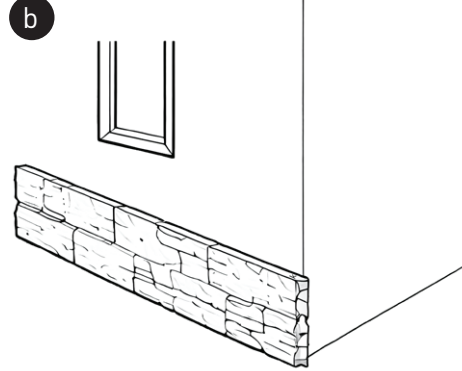
④ INSTALLING THE CORNER PIECES

a



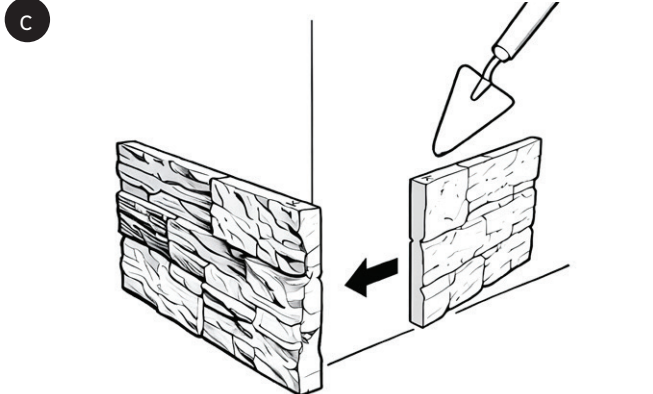
Position the first corner piece at the edge of the wall where the corner begins.

b



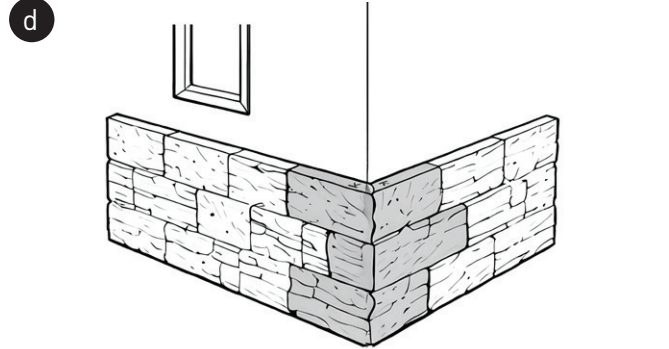
Continue the installation of the row using standard flat elements.

c



Prepare the second corner piece in the same manner, apply adhesive and install it on the opposite side of the corner. Ensure that the overlapping edge slightly covers the previously installed piece in order to maintain continuity of the pattern.

d



Continue the installation using standard flat elements.

For the second row, begin again from the corner using another matching pair of compatible pieces. Alternate the side on which the first piece is installed and avoid aligning pieces of identical length directly above one another.

Continue alternating the pieces across the entire surface for a more authentic final appearance.

⚠ The lengths of the corner pieces may intentionally vary in order to achieve a more natural and realistic appearance.

MAINTENANCE

Surface Cleaning

- Remove residues using a soft brush or a vacuum cleaner without direct contact with the cladding surface.
- For products intended exclusively for indoor use, clean the surface using a vacuum cleaner while avoiding direct contact between the vacuum head and the cladding.
- Do not use pressure washers, abrasive materials, wet sponges, or excessive force that may damage the cladding surface or joints.
- Use only pH-neutral cleaning solutions.
- Superficial stains may be removed by gently wiping with a damp microfiber cloth.
- For interior/exterior products, the use of *MODULO Cleaner for Dust and Stains* is recommended for removing difficult stains.
- For natural stone, persistent deposits caused by smog, algae, moss, moisture, or traces of mortar and adhesive may be removed using *MODULO Cleaner for Resistant Mold* or *MODULO Cleaner for Excess of Adhesive, Cement and Grout*, according to the manufacturer's instructions.
- For deep or difficult stains, seek specialist advice and avoid the use of non-specific or unauthorized cleaning products.

Surface Protection

- After complete drying of the wall and, where applicable, the joints, a protective solution compatible with the type of cladding may be applied.
- For all product types, *MODULO Protection Spray* may be used for protection against water and stains.
- For interior/exterior products and natural stone, the use of *MODULO Surface Protector* is recommended to limit infiltration and facilitate maintenance.
- To intensify the color and achieve an enhanced surface appearance, *MODULO Surface Protector Wet Effect* may be used.
- For certain natural stone applications exposed to high humidity, *MODULO Surface Protector Anti Dampness* may be used.
- For protection against stains and accidental markings, *MODULO Surface Protector Anti Graffiti* may be used.
- For interior/exterior products, periodic application of compatible protective solutions is recommended to limit infiltration and ensure long-term surface protection.
- Do not apply products incompatible with gypsum or solvent-based solutions on gypsum products.
- Gypsum-based products must be protected against direct and prolonged exposure to water or humidity.
- **Products from the Signature range do not require additional treatments.**

⚠ The application of any other types of cleaning or protective solutions of any kind, including varnishes, other than those recommended by Modulo Decorative Solutions, is strictly prohibited. Failure to comply with this instruction results in the immediate and complete cancellation of the warranty.

RECOMMENDED CONSUMPTION AND PRODUCTS

Estimated Consumption and Recommended MODULO Products

| Product Type | Recommended MODULO Products | Estimated Consumption |
|--|---|-------------------------|
| Decorative 3D tiles | MODULO Adhesive | ±3 kg/m ² |
| | High-strength universal mounting adhesive (tube type) | ±0.25 kg/m ² |
| Cement-based and natural stone products installed outdoors | MODULO Colle Extra Flex | ±5 kg/m ² |
| Cement-based and natural stone products installed indoors | MODULO Adhesive | ±5 kg/m ² |
| Interior gypsum-based products | MODULO Adhesive | ±3 kg/m ² |
| | PARMUR Colle | ±3 kg/m ² |
| Grout mortars | MODULO Joint | ±3-4 kg/m ² |
| | PARMUR Joint | ±3-4 kg/m ² |

Accessories and Complementary Products

| Product Type | Recommended MODULO Products |
|---|--|
| Adhesives for exterior cement-based or natural stone cladding | MODULO Colle Extra Flex |
| Adhesives for interior gypsum-based cladding | MODULO Adhesive / PARMUR Colle |
| Adhesives for interior cement-based or natural stone cladding | MODULO Adhesive |
| Adhesives for decorative 3D tiles | High-strength universal mounting adhesive (tube type) |
| Grout mortars | PARMUR Joint A'Lancienne / PARMUR Joint Nuance Pierre / MODULO Joint Grey / MODULO Joint White / MODULO Joint Dark Grey / MODULO Joint Cement Grey / MODULO Joint Anthracite |
| Universal protective solutions | MODULO Protection Spray |
| Protective solutions for interior/exterior products and natural stone | MODULO Surface Protector Natural Effect / MODULO Surface Protector Wet Effect / MODULO Surface Protector Anti Graffiti |
| Cleaning solutions | MODULO Cleaner for Dust and Stains |
| Anti-dampness solutions for natural stone | MODULO Surface Protector Anti Dampness |
| Solutions for natural stone | MODULO Cleaner for Resistant Mold / MODULO Cleaner for Excess of Adhesive, Cement and Grout |

⚠ ATTENTION: Product consumption values are indicative and may vary depending on the type of substrate, surface flatness, application method, and joint dimensions.

WARRANTY INFORMATION

Any installed product is considered accepted.

The warranty covers manufacturing defects or non-conformities identified upon delivery.

The manufacturer's warranty applies exclusively to the replacement of affected products, provided that MODULO installation instructions and recommendations have been followed.

The warranty does not cover damage caused by:

- incorrect installation;
- unsuitable substrate;
- use of non-recommended products;
- water infiltration, excessive humidity, frost, or high temperatures;
- shocks, improper modifications, or incorrect cuts;
- normal product wear.

⚠ The final appearance of the cladding may vary slightly depending on the installation method, lighting, production batch, and conditions of use.

